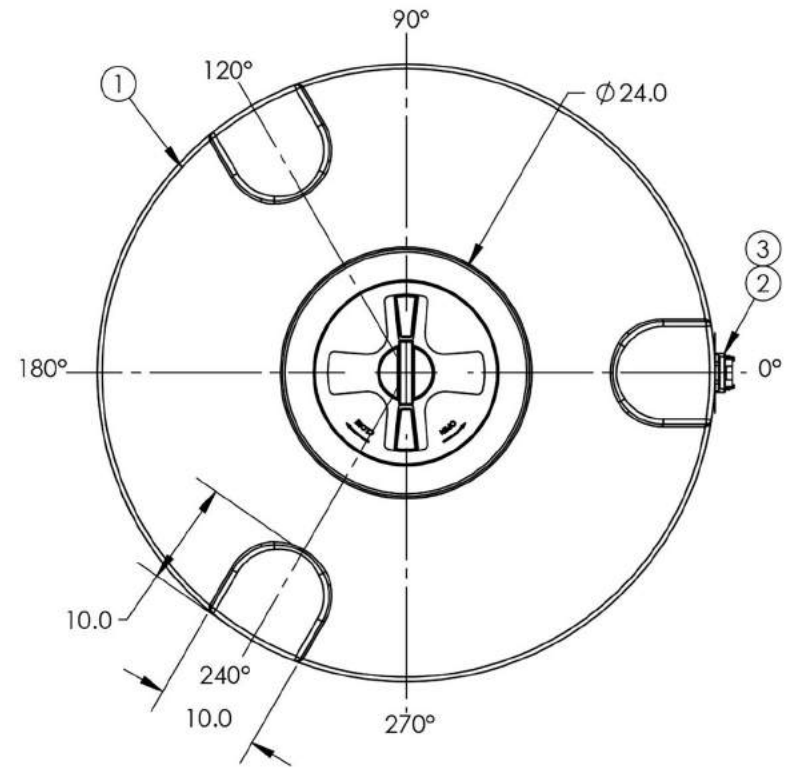
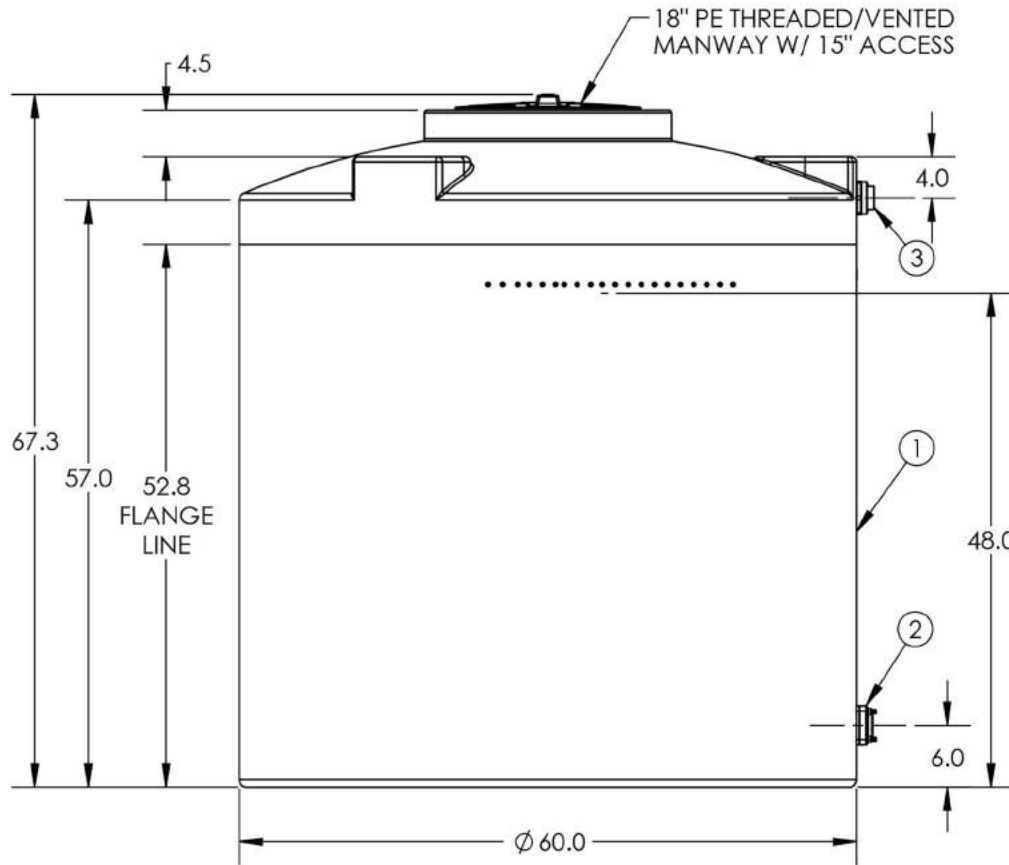


PART NUMBER	DESCRIPTION
	ASM TK 710VCT X 48 HD/BLK WATER
	ASM TK 710VCT X 48 HD/GDO WATER
	ASM TK 710VCT X 48 HD/TAN WATER



3	1		FTG PP 1-1/2IN BH EPDM
2	1		FTG PP 2IN BLTD EPDM
1	1		ASM TK 710VDT X 60 WATER NH
ITEM NO.	QTY.	PART NUMBER	DESCRIPTION
DO NOT SCALE			DRAWN BY
STATUS: Released			KB
© SNYDER INDUSTRIES INC., 2015			
ALL DIMENSIONS, DESIGNS, AND INFORMATION ON THIS PRINT MUST BE CONSIDERED PROPRIETARY TO SNYDER INDUSTRIES, INC. AND MAY NOT BE USED, COPIED, OR DISTRIBUTED WITHOUT WRITTEN PERMISSION OF AN OFFICER (OR HIS AGENT) OF THE FIRM.			
TITLE: ASM TK 710VDT X 60 WATER			REVISION A
PART NO.			SHEET 1 OF 1
ENG. ID.			

*ALL EXTERNAL PIPING MUST BE INDEPENDENTLY SUPPORTED.
 *ONLY BASE FITTINGS TO BE LEFT INSTALLED AT TIME OF SHIPMENT PER SII PROCEDURE.
 *Consult Snyder's Guidelines for Use and Installation prior to delivery.
 Available on-line at <http://www.snyderindustriestanks.com/Technical>
 ALL DIMENSIONS ARE IN INCHES, NOMINAL, & SUBJECT TO CHANGE WITHOUT NOTICE.
 ALL DIMENSIONS ON ROTATIONAL MOLDED PARTS ARE SUBJECT TO A ± 3% TOLERANCE.