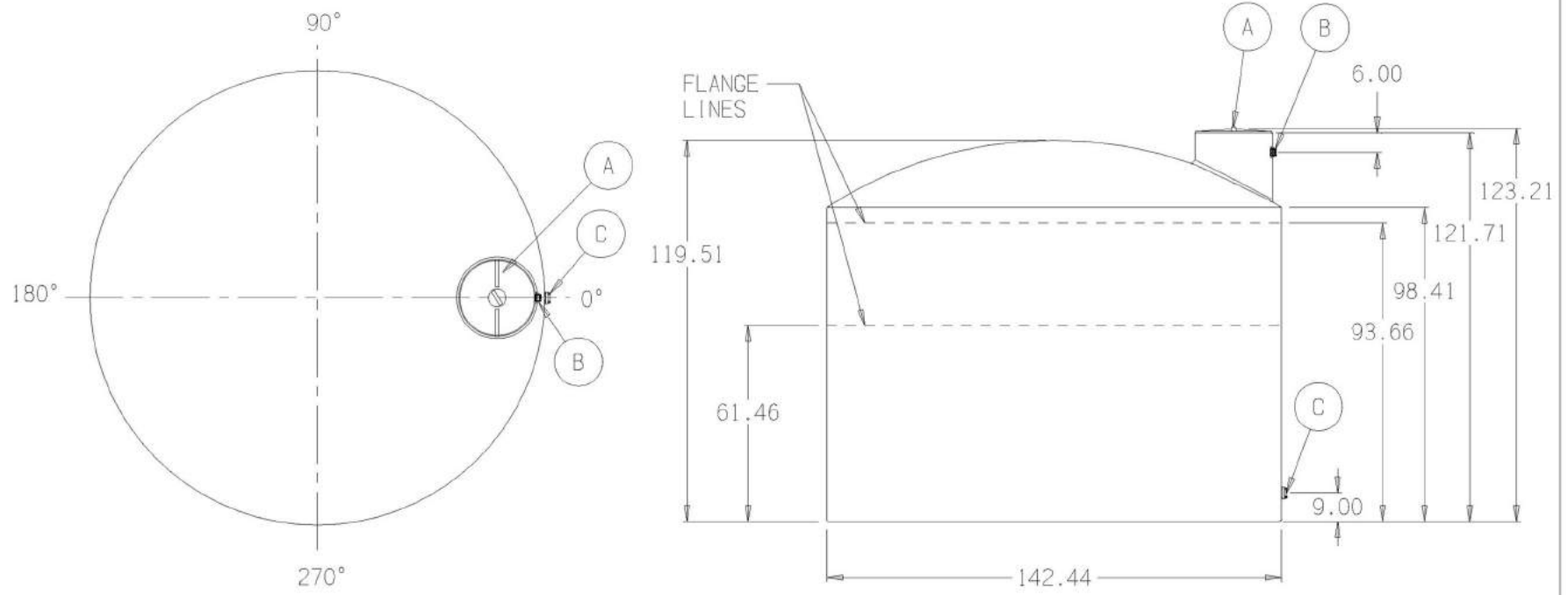


WATER



- A. 24" PE THREADED-VENTED MANWAY W/22" ACCESS
- B. 1-1/2" PE SII THREADED BH FTG W/EPDM GASKET
- C. 2" PP DBL FLANGED BOLTED FTG W/EPDM GASKETS & 3-1/2" SS BOLTS

* BASE FITTINGS TO BE LEFT INSTALLED AT TIME OF SHIPMENT PER SII PROCEDURE
ALL DIMENSIONS, DESIGNS, AND INFORMATION ON THIS PRINT MUST BE CONSIDERED PROPRIETARY TO SNYDER INDUSTRIES, INC.
AND MAY NOT BE USED, COPIED, OR DISTRIBUTED WITHOUT WRITTEN PERMISSION OF AN OFFICER (OR HIS AGENT) OF THE FIRM.

(all dimensions in inches)

PART # TANK: HDLPE/BLK & GDD/WATER

7,600 GALLON BLACK & DARK OLIVE GREEN WATER TANK

© SNYDER INDUSTRIES, INC., 2013

REF#: 00000 01/08/13

VWS7650

(866) 776-8265

PROTANK

sales@protank.com