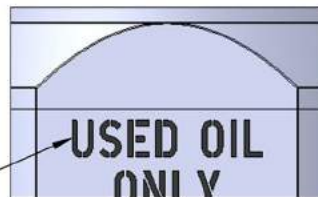
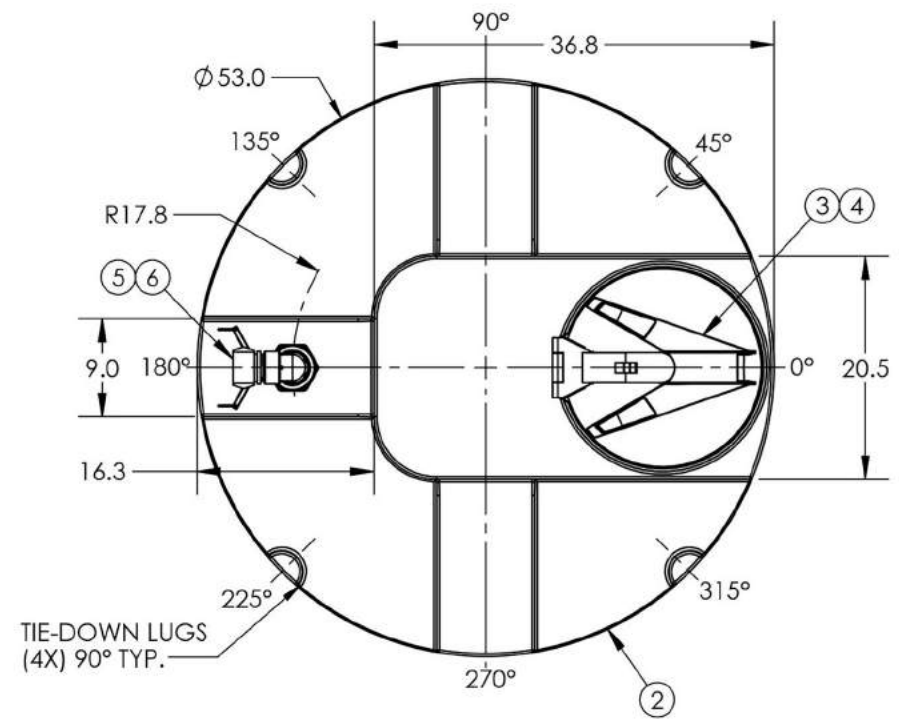


STENCIL AT 0° AND 180°  
IN 2" TALL LETTERS.



**\*ALL EXTERNAL PIPING MUST BE INDEPENDENTLY SUPPORTED.**  
**\*ONLY BASE FITTINGS TO BE LEFT INSTALLED AT TIME OF SHIPMENT PER SII PROCEDURE.**  
**\*Consult Snyder's Guidelines for Use and Installation prior to delivery.**  
 Available on-line at <http://www.snyderindustriestanks.com/Technical>  
**ALL DIMENSIONS ARE IN INCHES, NOMINAL, & SUBJECT TO CHANGE WITHOUT NOTICE.**  
**ALL DIMENSIONS ON ROTATIONAL MOLDED PARTS ARE SUBJECT TO A ± 3% TOLERANCE.**



TIE-DOWN LUGS  
(4X) 90° TYP.

6	1		ASM DRAWTUBE PP EPDM 500 DCT CT
5	1		FITTING PE 2IN BH TXT BJO#TF220PE
4	1		STRAINER BASKET 18IN MANWAY #T8159000
3	1		ASM MANWAY HINGED PP 18IN W/LOCK HYPRO
2	1		ASM TK 500VNT X 48 CT HD/BLK 1.9 NOMW
1	1		ASM TK 500 CONTAINMENT HD/YW 1.9
ITEM NO.	QTY.	PART NUMBER	DESCRIPTION
DO NOT SCALE		DRAWN BY	DATE
STATUS: <b>Released</b>		KB	07/08/2014
© SNYDER INDUSTRIES INC., 2014			
TITLE:			REVISION
<b>ASM TK 500 VNT X 48 DCT/UOCTS BLK/YW 1.9</b>			<b>A</b>
PART NO.			SHEET
			1 OF 1
ENG. ID.			